

FAJAR SIGNALS SDN BHD

FS TELEPHONE ACOUSTIC HALF HOOD



The FR1A Acoustic Hood has been designed to facilitate communication in environments where the ambient noise level is high such as in offshore platforms, petro-chemicals plants and power plants.

The FR1A Acoustic Hood is made of Glass Reinforced Fiber material which forms the outer shell of the whole unit. Glass Reinforced Fiber is renowned for its strength and durability in harsh and rough environments and it requires no routine maintenance. The Acoustic Hood can be made fire retardant to Flame Resistant Classification.

The interior wall is lined with sound dampening material and perforated Stainless Steel lining. The FR1A Acoustic Hood eliminates background sound reduction up to 35dB across the wall

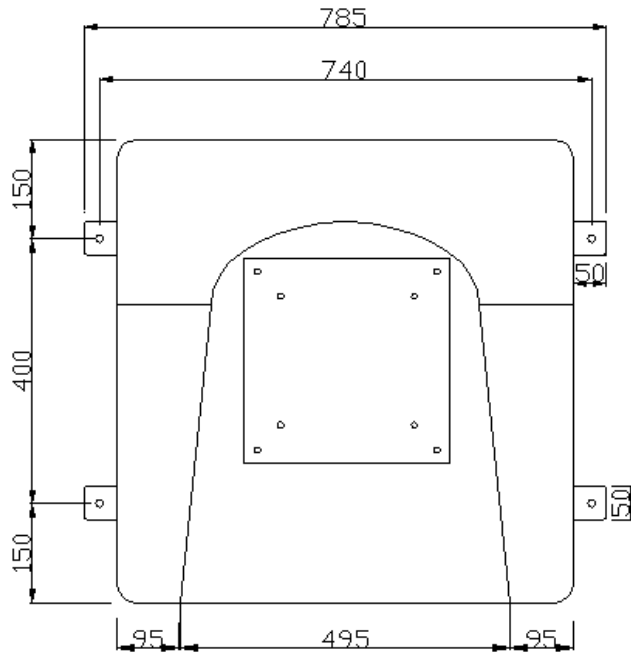
The mounting is supported by SS316 bracket & fasteners which can support weight up to 30Kg. The design is such that the weight is not supported by the hood but by the mounting bracket. The robust construction achieved makes the FR1A Acoustic Hood conducive for better Communication and Compliance to harsh and rough Industrial areas.



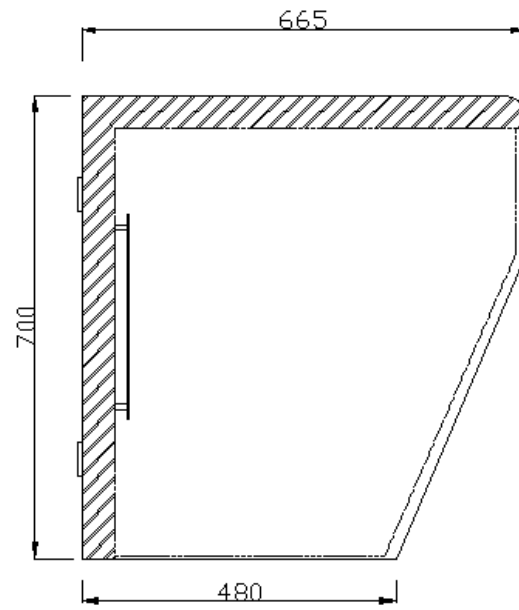
FAJAR SIGNALS SDN BHD

22, Jalan SS25/28, Taman Mayang 47301 Petaling Jaya, Selangor Malaysia
Tel+603 7803 9396 Fax+603 7803 9397 E-mail: sales@fajarsignals.com

ACOUSTIC HOOD SPECIFICATION



FRONT VIEW



SECTION VIEW

- Sound Reduction Upto 35dB across the wall
- Suitable for Outdoor and harsh environment
- Stainless Steel perforated internal lining
- Stainless Steel hardware fitting. Mounting Brackets with bolts.
- Flame Resistant Material to BS 476 Part 7 Classification of 2
- Colour standard Canary Yellow (Other colours available)
- Internal lightings with switch can be customized (Option)
- Telephone Ring Detector with Junction Box (Option)
- Beacon and Ringger fitted (Option)
- SS316 Mounting Plate (Option)
- For Pole supply with special design available (Upon request)

General Specification

Body Material : Glass Reinforced Fiber

Internal Poforated Lining: Stainless Steel 304

Wall Mounting Bracket: SS316

Mounting Plate: Glass Fiber Board, SS. Plate with cost added

Colour : Yellow, Red, Blue, Grey, (Other Colours Please Specify)

Model No	
GR1A	Glass Reinforced Fiber with Perforated Stainless Steel Lining
FR1A	Glass Reinforced Flame Retardant Fiber with Perforated Stainless Steel Lining

FAJAR SIGNALS SDN BHD

22, Jalan SS25/28, Taman Mayang 47301 Petaling Jaya, Selangor Malaysia
Tel+603 7803 9396 Fax+603 7803 9397 E-mail: sales@fajarsignals.com